

기술적 특징

CVI II 범위

기능	CVI II	CVI II MODCV-1	TWINCVI II MODCV-2
Number of channels	1	1	2
Number of cycles	15	250	250
Number of phases	8	20	20
Batch count	99	99	99
Real time statistics (ISO.CNOMO.NF)		✓	✓
Bar code reading	✓	✓	✓
Synchronization of spindles			✓
조임 결과			
Torque + Angle + Date + Time + Report	3000이하	8500이하	11600이하
Number of curves	2	4	8
조임 전략			
Torque control + angle monitoring	✓	✓	✓
Angle control + torque monitoring	✓	✓	✓
Torque and Angle control		✓	✓
Torque control + (Angle + torque Rate) monitoring		✓	✓
Angle control + (Torque + torque Rate) monitoring		✓	✓
Yield point strategy		✓	✓
Stall torque		✓	✓
Prevailing torque	✓	✓	✓
Current monitoring	✓	✓	✓
외부 연결			
Input	8	26	26
Output	6	32	32
RS232/422 programming port	✓	✓	✓
Parallel printer port	✓	✓	✓
High speed RS232/485/20mA PLC port		✓	✓
Bar code port	1	1	2
고급 옵션			
Ethernet 4 sockets port		✓	✓
Fieldbus: Profibus, modbus+, interbusS, devicenet		✓	✓
Cycles sequencing/ station management		✓	✓
SFP B cycle sequencing		✓	✓
SFP A station management		✓	✓
유지보수			
Access to all tools parameters	✓	✓	✓
Autotest of the complete system	✓	✓	✓
프로그래밍			
8 keys + LCD screen	✓		
Full keypad + large LCD screen		✓	✓
CVIPC2000 point to point or via networking	✓	✓	✓

전체 조립 시스템 1 세트 주문 예

항목	PART NO.
1 Tool portable angle nutrunner ERA60J	615 165 081 0
1 Cable length 15m	615 917 075 0
1 Controller CVI II	615 932 617 0
1 Start-up kit (English)	615 925 071 0



CVIS II - CVI II - TWINCVI II - MODCVI - CPUCVI



A



B



C

MODCVI-2
는 TWINCVI II의
모듈 버전입니다.



D



E

CPUCVI
CPUCVI는 다중 스펀들 장치에 대한 시스템 제어입
니다.
이것은 조립 순서를 완전히 제어하며, MODCVI를 제어
하고 명령과 결과를 집중화합니다.

PIC REF	MODEL	PART NUMBER	AVERAGE POWER	ELECTRICAL SUPPLY	WIDTH		DIMENSIONS HEIGHT		DEPTH		WEIGHT	
			KVA	110/230 V	mm	in.	mm	in.	mm	in.	kg	lb.
A	CVIS II	615 932 618 0	0.5	Single-phase	280	11.0	345	13.6	385	15.2	17.0	37.5
B	CVI II	615 932 617 0	0.5	Single-phase	280	11.0	345	13.6	385	15.2	18.5	40.8
C	TWINCVI II	615 932 619 0	1.0	Single-phase	400	15.7	345	13.6	400	15.7	26.0	57.3
A	CVIS II US	615 932 642 0	0.5	Single-phase	280	11.0	345	13.6	385	15.2	17.0	37.5
B	CVI II US	615 932 641 0	0.5	Single-phase	280	11.0	345	13.6	385	15.2	18.5	40.8
C	TWINCVI II US	615 932 640 0	1.0	Single-phase	400	15.7	345	13.6	400	15.7	26.0	57.3
D	MODCVI-1	615 932 501 0	0.5	Single or Three-phase	230	9.0	355	14.0	360	14.2	11.0	24.3
D	MODCVI-2	615 932 521 0	1.0	Single or Three-phase	230	9.0	355	14.0	360	14.2	13.6	30.0
E	CPUCVI	615 932 561 0	0.2	Single-phase	108	4.3	375	14.7	360	14.2	6.6	14.5
B	CVI II PROFIBUS	615 932 620 0	0.5	Single-phase	280	11.0	345	13.6	385	15.2	18.5	40.8
C	TWINCVI II PROFIBUS	615 932 621 0	1.0	Single-phase	400	15.7	345	13.6	400	15.7	26.0	57.3
C	TWINCVI II 1 SERVO	615 932 626 0	0.5	Single-phase	400	15.7	345	13.6	400	15.7	24.0	52.8

START-UP 키트 제어기와 같이 주문도 될 수 있는
부속물: 플러그 + 보고서

PLUG	literature	CVIS II	TWINCVI II / CVI II
A	French	615 928 090 0	615 928 070 0
C	English	615 928 091 0	615 928 071 0
A	English	615 928 095 0	615 928 075 0
B	English	615 928 099 0	615 928 079 0
A	German	615 928 092 0	615 928 072 0
A	Spanish	615 928 093 0	615 928 073 0
D	Italian	615 928 094 0	615 928 074 0
A	Dutch	615 928 098 0	615 928 078 0
A	Portuguese	615 928 096 0	615 928 076 0



옵션 액세서리

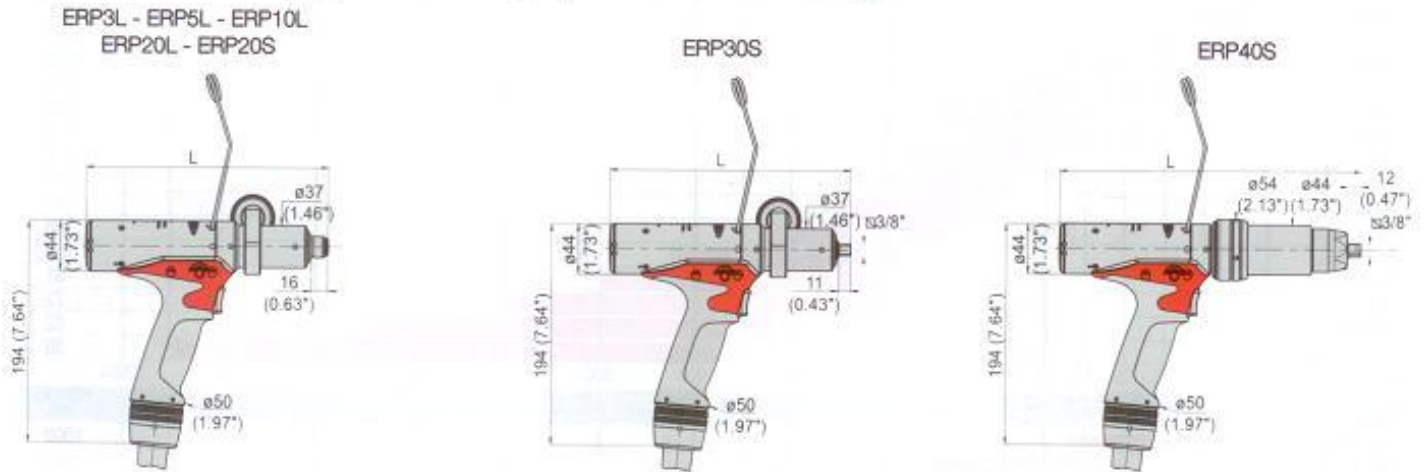
	PART NO.
PC cable, length 2m (78.7)	615 917 047 0
Printer cable, length 2m (78.7)	615 917 057 0
Wall hanging system	615 930 519 0
Power supply 400 Volts	615 932 460 0
BRD Backup Rescue Device	615 936 026 0
SFP Basic	615 927 527 0
SFP Advanced	615 927 528 0
CVIS/CVICPC2000 1 Installation	615 927 521 0
CVIPC2000 Standard 1 Installation	615 927 522 0
CVIPC2000 Advanced 1 Installation	615 927 523 0
CVIS/CVICPC2000 5 Installations	615 927 534 0
CVIPC2000 Standard 5 Installations	615 927 526 0
CVIPC2000 Advanced 5 Installations	615 927 535 0
CVIS/CVICPC2000 25 Installations	615 927 536 0
CVIPC2000 Standard 25 Installations	615 927 537 0
CVIPC2000 Advanced 25 Installations	615 927 538 0



피스톨 그립 전기 너트러너 - CVI II

ERP3L - ERP5L - ERP10L - ERP20L - ERP20S - ERP30S - ERP

0,35 ~ 42 Nm (0,26 ~ 31 ft.lb) - 880 ~ 2000 rpm

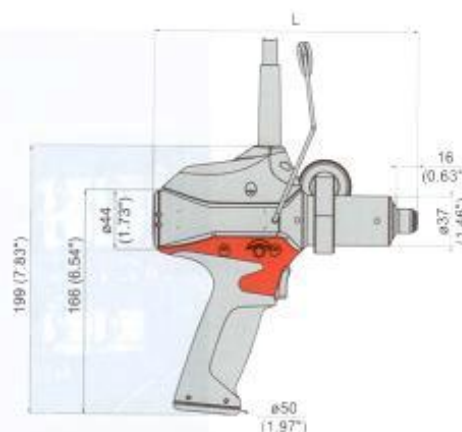


MODEL	PART NUMBER	OUTPUT DRIVE	TORQUE			TORQUE			ROTATIONAL SPEED	LENGTH L		WEIGHT		
			MIN.	RECOM-MENDED	MAX.	MIN.	RECOM-MENDED	MAX.		mm	in.	kg	lb.	
			in.	Nm	Nm	Nm	ft.lb	ft.lb	ft.lb	rpm				
ERP3L	615 165 193 0	Hex. 1/4 F	0.35	3	3.3	0.26	2.2	2.4	2000	196	7.7	1.0	2.2	
ERP5L	615 165 194 0	Hex. 1/4 F	0.5	5	5.5	0.37	3.7	4.0	2000	196	7.7	1.0	2.2	
ERP10L	615 165 195 0	Hex. 1/4 F	1.5	10	12	1.10	7.4	8.8	1540	196	7.7	1.1	2.4	
ERP20L	615 165 196 0	Hex. 1/4 F	3.0	20	23	2.20	14.7	17.0	790	196	7.7	1.1	2.4	
ERP20S	615 165 197 0	Hex. 1/4 F	3.0	20	23	2.20	14.7	17.0	1540	221	8.7	1.2	2.6	
ERP30S	615 165 198 0	Sq. 3/8	5.0	30	30	3.70	22.1	22.0	1070	217	8.5	1.2	2.6	
ERP40S	615 165 263 0	Sq. 3/8	6.0	40	42	4.40	29.5	31.0	880	263	10.4	1.7	3.7	

피스톨 그립 전기 너트러너 - CVI II

ERP3LT - ERP5LT - ERP10LT - ERP20LT

0,35 ~ 23 Nm (0,26 ~ 17 ft.lb) - 790 ~ 2000 rpm

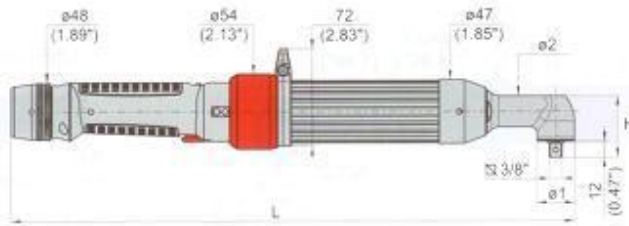


MODEL	PART NUMBER	OUTPUT DRIVE	TORQUE			TORQUE			ROTATIONAL SPEED	LENGTH L		WEIGHT		
			MIN.	RECOM-MENDED	MAX.	MIN.	RECOM-MENDED	MAX.		mm	in.	kg	lb.	
			in.	Nm	Nm	Nm	ft.lb	ft.lb	ft.lb	rpm				
ERP3LT	615 165 227 0	Hex. 1/4 F	0.35	3	3.3	0.26	2.2	2.4	2000	196	7.7	1.0	2.2	
ERP5LT	615 165 228 0	Hex. 1/4 F	0.5	5	5.5	0.37	3.7	4.0	2000	196	7.7	1.0	2.2	
ERP10LT	615 165 229 0	Hex. 1/4 F	1.5	10	12	1.10	7.4	8.8	1540	196	7.7	1.1	2.4	
ERP20LT	615 165 230 0	Hex. 1/4 F	3.0	20	23	2.20	14.7	17.0	790	196	7.7	1.1	2.4	



앵글 헤드 전기 너트러너 - CVI II

ERAL1.5-15/-25/-35/-45/-55/-70 - ERAL2-30/-40/-60/-80
2 ~ 80 Nm (1.5 ~ 59 ft.lb) - 581 ~ 1511 rpm



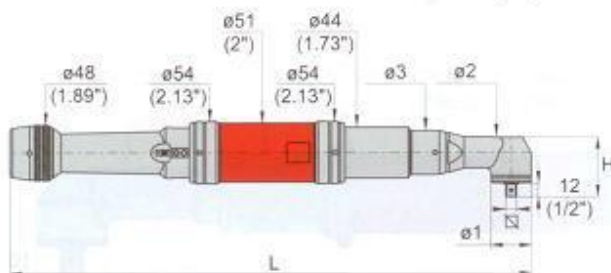
ERAL1.5-15
Quick change chuck
P.N. 615 396 262 0

MODEL	H		φ1		φ2	
	mm	in.	mm	in.	mm	in.
ERAL1.5-15/25/35 / ERAL2-30/40	45.5	1.79	28	1.1	23.0	0.90
ERAL1.5-45 / ERAL2-60	51.1	2.01	35	1.38	25.2	0.99
ERAL1.5-55/70 / ERAL2-80	56.7	2.23	40	1.27	28.4	1.12

MODEL	PART NUMBER	SQUARE DRIVE	TORQUE			ROTATIONAL SPEED	LENGTH L		WEIGHT	
			MIN.	RECOM-MENDED	MAX.		mm	in.	kg	lb.
			Nm	Nm	Nm	rpm	mm	in.	kg	lb.
ERAL1.5-15	615 165 356 0	3/8	2	15	18	1511	408	16.1	1.35	3.0
ERAL1.5-25	615 165 357 0	3/8	3	20	25	1511	408	16.1	1.35	3.0
ERAL1.5-35	615 165 358 0	3/8	5	30	35	1163	408	16.1	1.35	3.0
ERAL1.5-45	615 165 359 0	3/8	7	40	45	925	418	16.5	1.40	3.2
ERAL1.5-55	615 165 360 0	3/8	7	45	55	750	430	16.9	1.60	3.5
ERAL1.5-70	615 165 361 0	3/8	10	65	73	581	430	16.9	1.60	3.5
ERAL2-30	615 165 362 0	3/8	5	20	30	1511	433	17.0	1.55	3.4
ERAL2-40	615 165 363 0	3/8	7	30	40	1169	433	17.0	1.60	3.5
ERAL2-60	615 165 364 0	3/8	8	45	60	918	443	17.4	1.70	3.7
ERAL2-80	615 165 365 0	3/8	10	65	80	750	455	17.9	1.80	4.0

앵글 헤드 전기 너트러너 - CVI II

ERA15J - ERA20J - ERA30J - ERA40J - ERA60J
2 ~ 72 Nm (1.5 ~ 53 ft.lb) - 570 ~ 1480 rpm



ERA15J
Quick change chuck
P.N. 615 396 262 0

MODEL	H		φ1		φ2		φ3	
	mm	in.	mm	in.	mm	in.	mm	in.
ERA15J	45.5	1.79	28	1.1	27	1.06	38	1.5
ERA20J - ERA30J	45.5	1.79	28	1.1	27	1.06	38	1.5
ERA40J	51.5	2.03	35	1.38	27	1.06	38	1.5
ERA60J	57.5	2.26	40	1.57	30.5	1.2	38	1.5

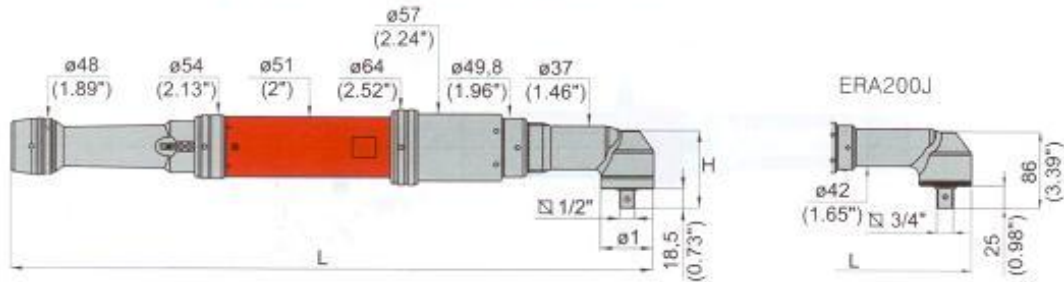
MODEL	PART NUMBER	SQUARE DRIVE	TORQUE			ROTATIONAL SPEED	LENGTH L		WEIGHT	
			MIN.	RECOM-MENDED	MAX.		mm	in.	kg	lb.
			Nm	Nm	Nm	rpm	mm	in.	kg	lb.
ERA15J	615 165 191 0	3/8	2	15	18	1140	422	16.6	1.7	3.7
ERA20J	615 165 078 0	3/8	5	20	24	1480	447	17.6	2.0	4.4
ERA30J	615 165 079 0	3/8	5	30	36	1140	447	17.6	2.0	4.4
ERA40J	615 165 080 0	3/8	8	40	48	900	458	18.0	2.1	4.6
ERA60J	615 165 081 0	3/8	15	60	72	570	469	18.5	2.2	4.8



앵글 헤드 전기 너트러너 - CVI II

ERA70J - ERA90J - ERA115J - ERA125J - ERA150J - ERA200J

15 ~ 225 Nm (11 ~ 166 ft.lb) - 220 ~ 690 rpm



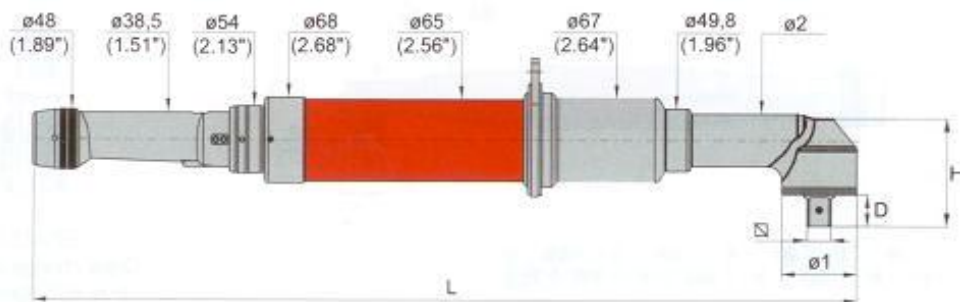
MODEL	H	φ1
	mm in.	mm in.
ERA70J - ERA90J - ERA115J	66 2.6	45 1.77
ERA125J - ERA150J	69 2.7	50 1.97

MODEL	PART NUMBER	SQUARE DRIVE	TORQUE						ROTATIONAL SPEED	LENGTH L		WEIGHT	
			MIN.	RECOM-MENDED	MAX.	MIN.	RECOM-MENDED	MAX.		mm	in.	kg	lb.
		in.	Nm	Nm	Nm	ft.lb	ft.lb	ft.lb	rpm				
ERA70J	615 165 082 0	1/2	15	70	90	11.0	51.6	66.0	690	552	21.7	3.5	7.7
ERA90J	615 165 083 0	1/2	20	90	110	14.7	66.0	81.0	540	552	21.7	3.5	7.7
ERA115J	615 165 084 0	1/2	25	115	120	18.4	85.0	88.4	380	552	21.7	3.5	7.7
ERA125J	615 165 085 0	1/2	30	125	140	22.0	92.0	103.0	360	554	21.8	3.7	8.1
ERA150J	615 165 086 0	1/2	35	150	170	26.0	110.5	125.0	300	554	21.8	3.7	8.1
ERA200J	615 165 123 0	3/4	60	200	225	44.0	147.0	166.0	220	604	23.8	3.9	8.6

앵글 헤드 전기 너트러너 - CVI II

ERA125-6J - ERA250-6J

30 ~ 280 Nm (22 ~ 206 ft.lb) - 300 - 640 rpm



MODEL	H	D	φ1	φ2
	mm in.	mm in.	mm in.	mm in.
ERA125-6J	69 2.72	16.5 0.65	50 1.97	37 1.46
ERA250-6J	86 3.38	25.0 0.98	60 2.36	42 1.65

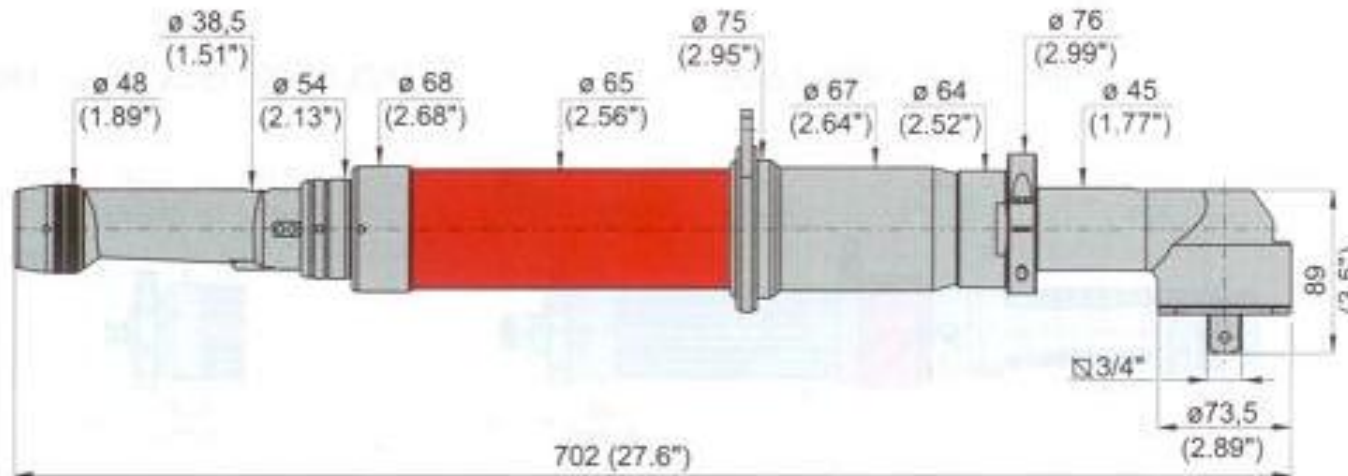
MODEL	PART NUMBER	SQUARE DRIVE	TORQUE						ROTATIONAL SPEED	LENGTH L		WEIGHT	
			MIN.	RECOM-MENDED	MAX.	MIN.	RECOM-MENDED	MAX.		mm	in.	kg	lb.
		in.	Nm	Nm	Nm	ft.lb	ft.lb	ft.lb	rpm				
ERA125-6J	615 165 089 0	1/2	30	125	135	22	92	100	640	639	25.2	6.2	13.7
ERA250-6J	615 165 092 0	3/4	50	250	280	37	184	206	300	661	26.0	6.3	13.9



앵글 헤드 전기 너트러너 - CVI II

ERA300-6J - ERA400-6J

75 ~ 480 Nm (55 ~ 354 ft.lb) - 190 - 250 rpm

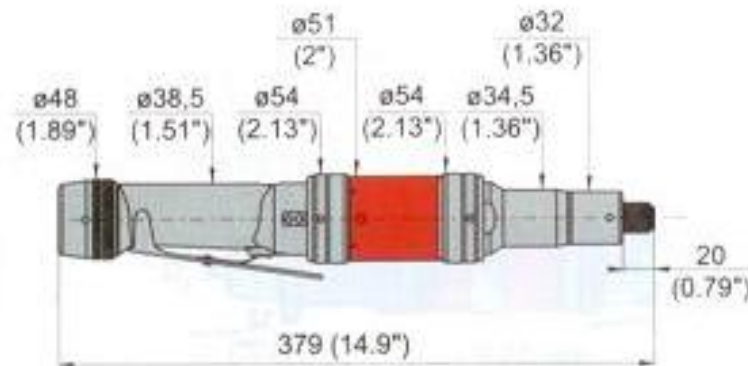


MODEL	PART NUMBER	SQUARE DRIVE	TORQUE			ROTATIONAL SPEED			LENGTH L		WEIGHT		
			MIN.	RECOM-MENDED	MAX.	MIN.	RECOM-MENDED	MAX.	mm	in.	kg	lb.	
		in.	Nm	Nm	Nm	ft.lb	ft.lb	ft.lb	rpm	mm	in.	kg	lb.
ERA300-6J	615 165 070	0	75	300	350	55	221	258	250	702	27.6	8	17.6
ERA400-6J	615 165 071	0	100	400	480	73	295	354	190	702	27.6	8	17.6

인라인 전기 너트러너 - CVI II

ERD5J

0.5 ~ 8 Nm (0.37 ~ 5.9 ft.lb) - 2070 rpm



MODEL	PART NUMBER	OUTPUT DRIVE	TORQUE						ROTATIONAL SPEED	LENGTH L		WEIGHT	
			MIN.	RECOM-MENDED	MAX.	MIN.	RECOM-MENDED	MAX.		mm	in.	kg	lb.
ERD5J	615 165 060 0	Hex 1/4 F	0.5	6	8	0.37	4.4	5.9	2070	379	14.9	1.3	2.9

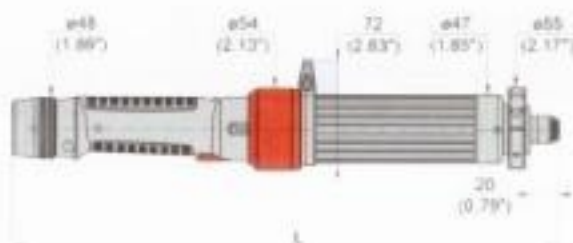


인라인 전기 너트러너 - CVI II

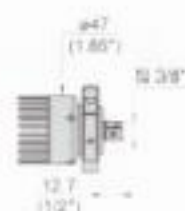
ERDL1.5-12 / -20 / -30 / -40 / -50

2 ~ 50 Nm (1.5 ~ 36.9 ft.lb) - 898 ~ 1586 rpm

ERDL1.5-12 - ERDL1.5-20



ERDL1.5-30 - ERDL1.5-40 - ERDL1.5-50

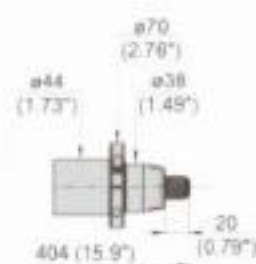
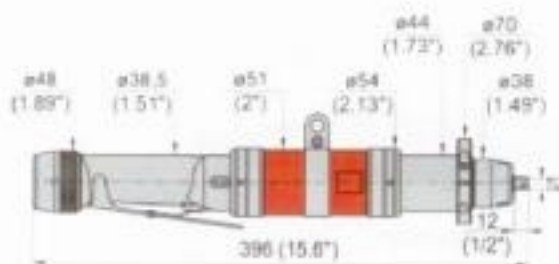


MODEL	PART NUMBER	OUTPUT DRIVE	TORQUE						ROTATIONAL SPEED	LENGTH L		WEIGHT		
			MIN.	RECOM-MENDED	MAX.	MIN.	RECOM-MENDED	MAX.		mm	in.	kg	lb.	
			in.	Nm	Nm	Nm	ft.lb	ft.lb	ft.lb	rpm	mm	in.	kg	lb.
ERDL1.5-12	615 165 366 0	Hex 1/4 F	2	10	12	1.5	7.4	8.8	1586	365	14.4	1.3	2.9	
ERDL1.5-20	615 165 367 0	Hex 1/4 F	3	15	20	2.2	11.0	14.7	1586	365	14.4	1.3	2.9	
ERDL1.5-30	615 165 368 0	Sq. 1/4	5	20	30	3.7	14.7	22.0	1586	357	14.0	1.3	2.9	
ERDL1.5-40	615 165 369 0	Sq. 1/4	7	30	40	5.2	22.0	29.5	1159	357	14.0	1.3	2.9	
ERDL1.5-50	615 165 370 0	Sq. 1/4	8	40	50	5.9	29.5	36.9	898	357	14.0	1.3	2.9	

인라인 전기 너트러너 - CVI II

ERD20J - ERD30J

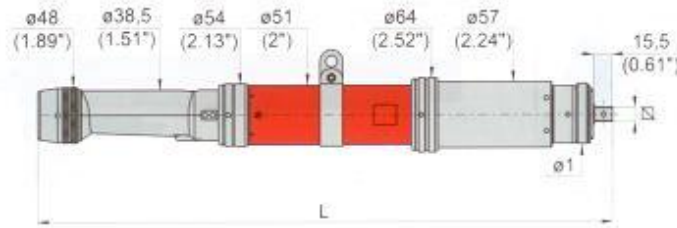
3 ~ 36 Nm (2.2 ~ 26.5 ft.lb) - 1100 - 1560 rpm



MODEL	PART NUMBER	SQUARE DRIVE	TORQUE						ROTATIONAL SPEED	LENGTH L		WEIGHT		
			MIN.	RECOM-MENDED	MAX.	MIN.	RECOM-MENDED	MAX.		mm	in.	kg	lb.	
			in.	Nm	Nm	Nm	ft.lb	ft.lb	ft.lb	rpm	mm	in.	kg	lb.
ERD20J	615 166 072 0	Hex 1/4 F	3	20	24	2.2	14.7	17.7	1560	404	15.9	1.8	3.9	
ERD30J	615 166 073 0	Sq. 1/4	5	30	36	3.7	22.1	26.5	1100	396	15.6	1.8	3.9	

인라인 전기 너트러너 - CVI II

ERD50J - ERD70J - ERD120J
 20 ~ 135 Nm (14.7 ~ 99.6 ft.lb) - 400 ~ 1030 rpm

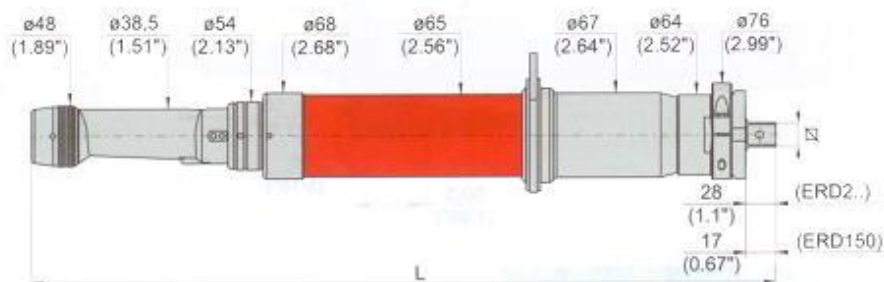


MODEL	ø1	
	mm	in.
ERD50J - ERD70J	49.8	1.96
ERD120J	50.0	1.97

MODEL	PART NUMBER	SQUARE DRIVE	TORQUE						ROTATIONAL SPEED	LENGTH L		WEIGHT		
			MIN.	RECOM-MENDED	MAX.	MIN.	RECOM-MENDED	MAX.		mm	in.	kg	lb.	
			in.	Nm	Nm	Nm	ft.lb	ft.lb	ft.lb	rpm				
ERD50J	615 166 074	0	3/8	20	50	60	14.7	36.8	44.2	1030	475	18.7	2.8	6.2
ERD70J	615 166 075	0	1/2	20	70	80	14.7	51.6	59.0	650	475	18.7	2.8	6.2
ERD120J	615 166 062	0	1/2	30	120	135	22.1	88.4	99.6	400	502	19.8	3.3	7.3

인라인 전기 너트러너 - CVI II

ERD150-6J - ERD200-6J - ERD250-6J
 40 ~ 250 Nm (29.5 ~ 184 ft.lb) - 290 ~ 530 rpm



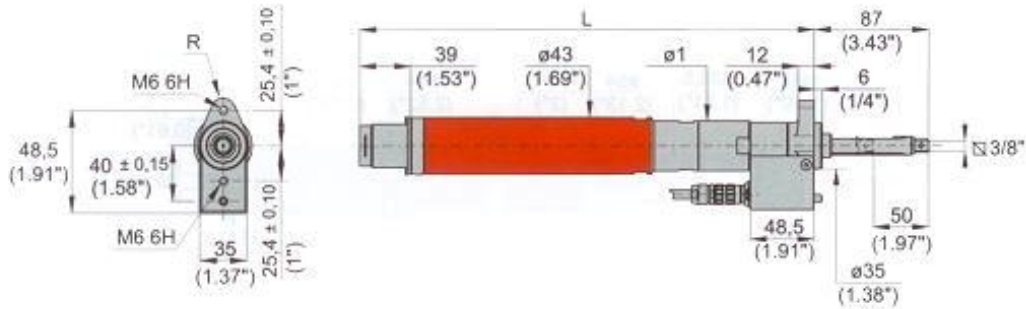
MODEL	PART NUMBER	SQUARE DRIVE	TORQUE						ROTATIONAL SPEED	LENGTH L		WEIGHT		
			MIN.	RECOM-MENDED	MAX.	MIN.	RECOM-MENDED	MAX.		mm	in.	kg	lb.	
			in.	Nm	Nm	Nm	ft.lb	ft.lb	ft.lb	rpm				
ERD150-6J	615 166 206	0	1/2	40	150	170	29.5	110.5	125.3	530	590	23.2	5.9	13
ERD200-6J	615 166 206	0	3/4	50	200	220	36.8	147.4	162.0	380	597	23.5	5.9	13
ERD250-6J	615 166 207	0	3/4	60	250	250	44.2	184.0	184.0	290	597	23.5	5.9	13



고정 전기 스피들 - CVI II

EM35-10J - EM35-20J - EM38-10J - EM38-20J

0.5 ~ 45 Nm (0.37 ~ 33.2 ft.lb) - 1092 ~ 2067 rpm



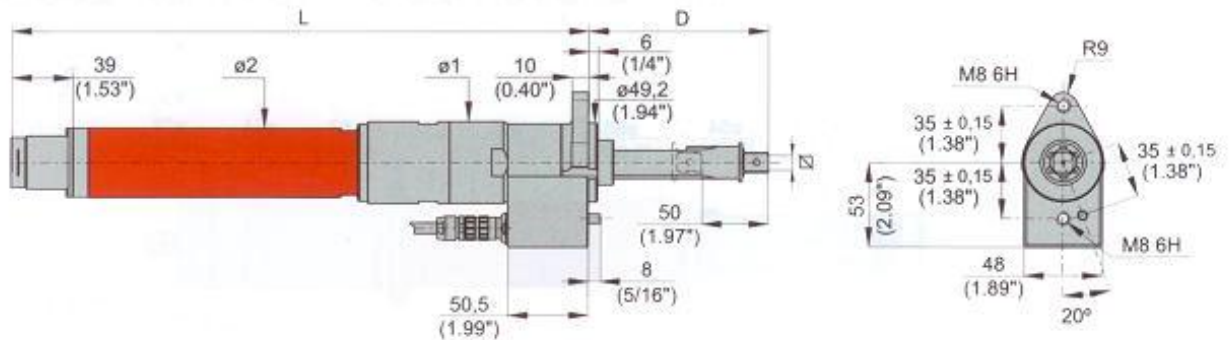
MODEL	ø1	
	mm	in.
EM35-10J - EM35-20J	35	1.38
EM38-10J - EM38-20J	38	1.50

MODEL	PART NUMBER	SQUARE DRIVE	TORQUE RANGE		ROTATIONAL SPEED	TELESCOPIC		MIN. CENTRE DISTANCE		LENGTH L		WEIGHT	
			Nm	ft.lb		mm	in.	mm	in.	mm	in.	kg	lb.
EM35-10J	615 165 013 0	3/8	0.5-8.0	0.37-5.89	2067	50	1.97	43.2	1.7	274	10.8	1.7	3.7
EM35-20J	615 165 014 0	3/8	4.0-15.0	2.14-11.0	2067	50	1.97	43.2	1.7	299	11.8	2.0	4.4
EM38-10J	615 165 015 0	3/8	9.0-30.0	6.63-22.1	1287	50	1.97	43.2	1.7	345	13.6	2.0	4.4
EM38-20J	615 165 016 0	3/8	10.0-45.0	7.37-33.2	1092	50	1.97	43.2	1.7	345	13.6	2.0	4.4

고정 전기 스피들 - CVI II

EM51-10J - EM51-20J - EM60-10J - EM60-20J - EM60-30J

20 ~ 250 Nm (14.7 ~ 184.2 ft.lb) - 299 ~ 650 rpm



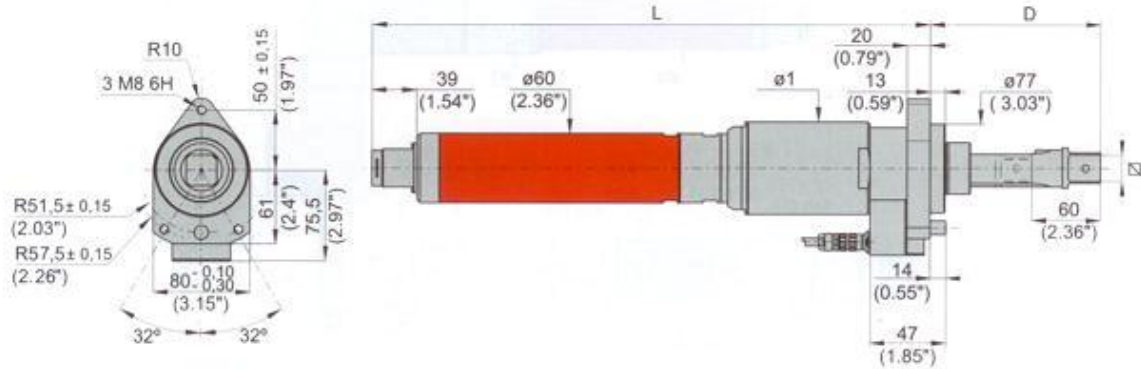
MODEL	ø1		ø2		D	
	mm	in.	mm	in.	mm	in.
EM51-10J - EM51-20J	51	2.01	43	1.70	113.0	4.50
EM60-10J - EM60-20J	60	2.36	60	2.36	113.0	4.50
EM60-30J	60	2.36	60	2.36	121.5	4.78

MODEL	PART NUMBER	SQUARE DRIVE	TORQUE RANGE		ROTATIONAL SPEED	TELESCOPIC		MIN. CENTRE DISTANCE		LENGTH L		WEIGHT	
			Nm	ft.lb		mm	in.	mm	in.	mm	in.	kg	lb.
EM51-10J	615 165 017 0	1/2	20-70	14.7-51.6	650	50	1.97	51.2	2.0	364	14.3	2.9	6.4
EM51-20J	615 165 018 0	1/2	30-135	22.1-99.5	403	50	1.97	51.2	2.0	391	15.4	3.5	7.7
EM60-10J	615 165 019 0	1/2	20-95	14.7-70.0	923	50	1.97	60.2	2.4	421	16.6	4.8	10.6
EM60-20J	615 165 020 0	3/4	50-175	36.8-129.0	507	50	1.97	60.2	2.4	421	16.6	4.8	10.6
EM60-30J	615 165 021 0	3/4	70-250	51.6-184.2	299	50	1.97	60.2	2.4	457	18.0	5.2	11.5



고정 전동 스피들 - CVI II

EM80-10J / -20J / -30J / -40J / -50J - EM106-10J / 20J
80 ~ 1900 Nm (59 ~ 1400 ft.lb) - 39 ~ 286 rpm



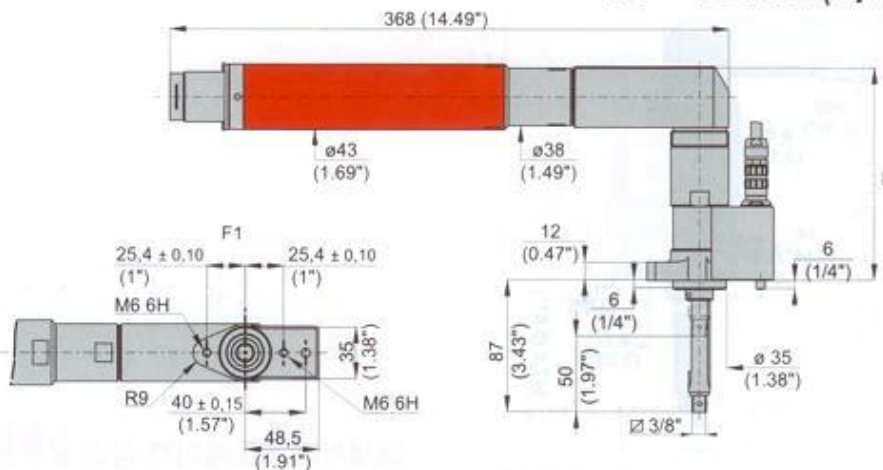
MODEL	ø1		D	
	mm	in.	mm	in.
EM80-10J - EM80-20J	80	3.15	140	5.51
EM80-30J - EM80-40J-EM80-50J	80	3.15	140	5.51
EM106-10J - EM106-20J	106	4.17	148	5.53

MODEL	PART NUMBER	SQUARE DRIVE	TORQUE RANGE		ROTATIONAL SPEED	TELESCOPIC		MIN. CENTRE DISTANCE		LENGTH L		WEIGHT	
			Nm	ft.lb		mm	in.	mm	in.	mm	in.	kg	lb.
EM80-10J	615 165 022 0	3/4	80-300	59-221	286	60	2.36	80.2	3.2	484	19.0	9.8	21.6
EM80-20J	615 165 023 0	3/4	120-450	88-332	195	60	2.36	80.2	3.2	484	19.0	9.8	21.6
EM80-30J	615 165 024 0	1	180-650	133-479	130	60	2.36	80.2	3.2	484	19.0	9.8	21.6
EM80-40J	615 165 025 0	1	220-800	162-590	91	60	2.36	80.2	3.2	484	19.0	9.8	21.6
EM80-50J	615 165 251 0	1	220-1000	162-737	72	60	2.36	80.2	3.2	484	19.0	9.8	21.6
EM106-10J	615 165 026 0	1	430-1500	317-1105	52	60	2.36	106.2	4.2	554	21.8	15.0	33.1
EM106-20J	615 165 027 0	1	540-1900	398-1400	39	60	2.36	106.2	4.2	554	21.8	15.0	33.1

고정 전동 스피들 - CVI II

EML38-20J

10 - 45 Nm (7.4 - 33.2 ft.lb) - 1092 rpm



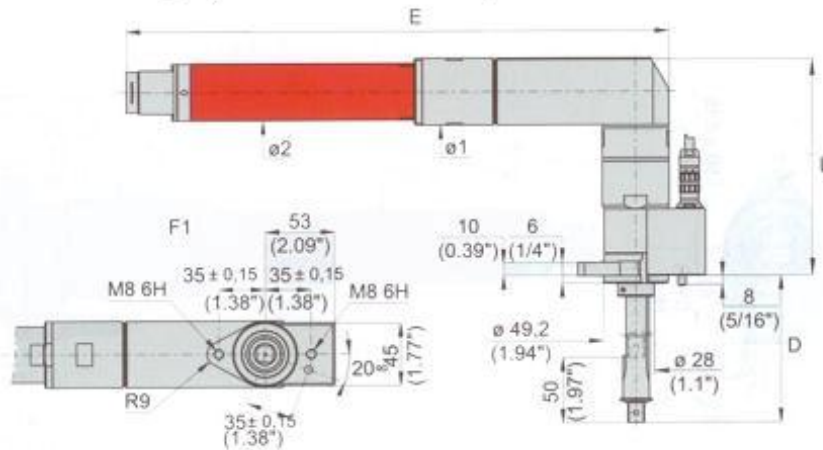
MODEL	PART NUMBER	SQUARE DRIVE	TORQUE RANGE		ROTATIONAL SPEED	TELESCOPIC		MIN. CENTRE DISTANCE		LENGTH L		WEIGHT	
			Nm	ft.lb		mm	in.	mm	in.	mm	in.	kg	lb.
EML38-20J	615 165 063 0	3/8	10-45	7.4-33.2	1092	50	1.97	43.2	1.7	140.5	5.53	3.0	6.6



고정 전기 스피들 - CVI II

EML51-20J - EML60-20J - EML60-30J

30 ~ 250 Nm (22 - 184 ft.lb) - 312 ~ 403 rpm



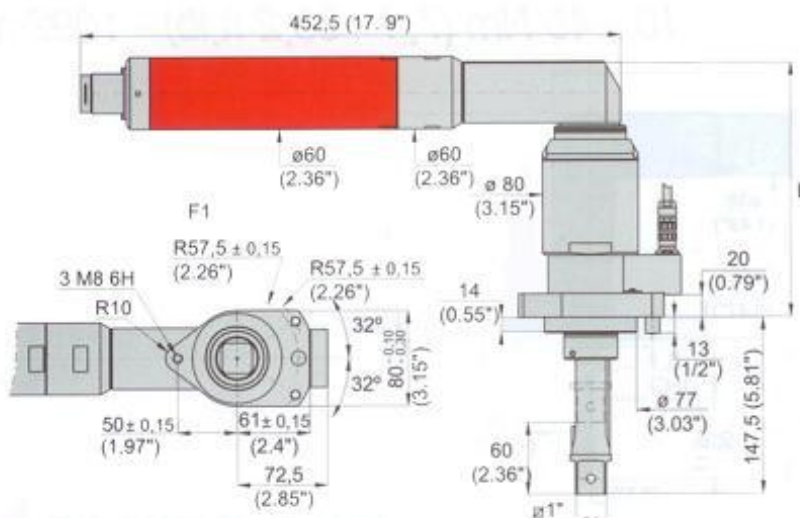
MODEL	ø1		ø2		D		E	
	mm	in.	mm	in.	mm	in.	mm	in.
EML51-20J	51	2.01	43	1.69	113.0	4.45	412.5	16.2
EML60-20J	60	2.36	60	2.36	121.5	4.78	452.5	17.8
EML60-30J	60	2.36	60	2.36	121.5	4.78	452.5	17.8

MODEL	PART NUMBER	SQUARE DRIVE	TORQUE RANGE		ROTATIONAL SPEED	TELESCOPIC		MIN. CENTRE DISTANCE		LENGTH L		WEIGHT	
			Nm	ft.lb		mm	in.	mm	in.	mm	in.	kg	lb.
EML51-20J	615 165 064 0	½	30-135	22-99.5	403	50	1.97	51.2	2.0	166	6.5	4	8.8
EML60-20J	615 165 065 0	¾	50-175	37-129	481	50	1.97	60.2	2.4	178	7.0	6	13.2
EML60-30J	615 165 066 0	¾	70-250	52-184	312	50	1.97	60.2	2.4	178	7.0	6	13.2

고정 전기 스피들 - CVI II

EML80-40J

220 - 800 Nm (162 - 590 ft.lb) - 91 rpm



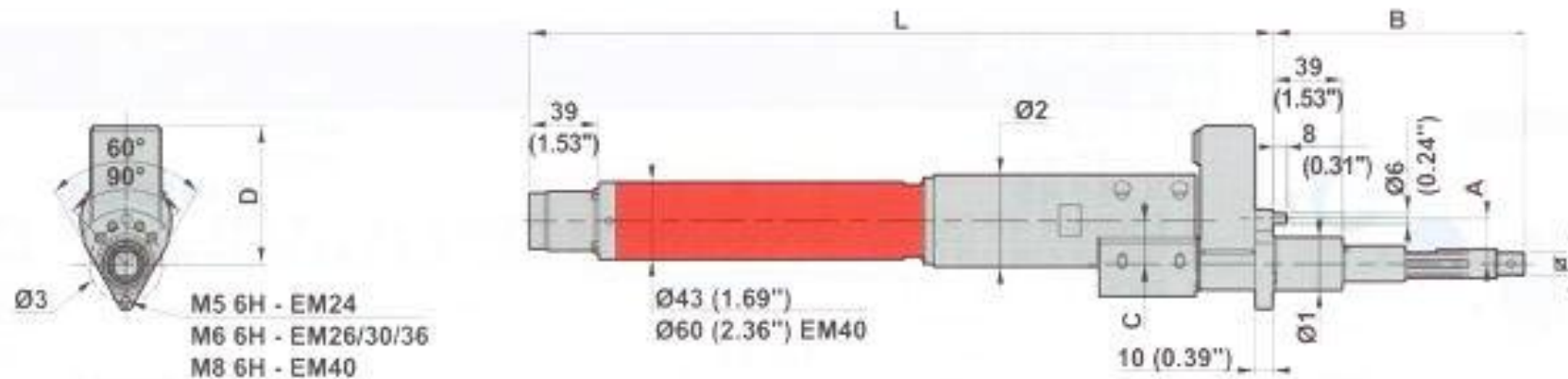
MODEL	PART NUMBER	SQUARE DRIVE	TORQUE RANGE		ROTATIONAL SPEED	TELESCOPIC		MIN. CENTRE DISTANCE		LENGTH L		WEIGHT	
			Nm	ft.lb		mm	in.	mm	in.	mm	in.	kg	lb.
EML80-40J	615 165 067 0	1	220-800	162-590	91	60	2.4	80.2	3.2	241	9.49	11	24.2



오프셋 엔드를 갖는 고정 전기 스피들 - CVI II

EM24-20 OF - EM26-50 OF - EM30-80 OF - EM36-140 OF - EM40-180 OF

4 ~ 180 Nm (2.9 ~ 132.7 ft.lb) - 375 ~ 1225 rpm



MODEL	A		B		C		D		Ø1		Ø2		Ø3	
	mm	in.	mm	in.	mm	in.	mm	in.	mm	in.	mm	in.	mm	in.
EM24-20	18	0.71	118.15	4.65	18.05	0.71	64.0	2.52	23.5	0.92	38	1.49	34	1.34
EM26-50	20	0.79	117.9	4.64	21.15	0.83	69.5	2.74	26.0	1.02	42	1.65	37	1.45
EM30-80	25	0.98	140.4	5.53	23.95	0.94	76.5	3.01	29.5	1.16	51	2.01	41	1.61
EM36-140	25	0.98	142.9	5.63	29.5	1.16	83.5	3.29	35.5	1.39	54	2.12	50	1.97
EM40-180	30	1.18	151.9	5.98	34.0	1.34	93.0	3.66	40.0	1.57	64	2.52	54	2.12

MODEL	PART NUMBER	SQUARE DRIVE	TORQUE RANGE			ROTATIONAL SPEED	TELESCOPIC		MIN. CENTRE DISTANCE		LENGTH L		WEIGHT	
			in.	Nm	ft.lb		rpm	mm	in.	mm	in.	mm	in.	kg
EM24-20 OF	615 165 276 0	3/8	4-20	2.9-14.7	1225	50	1.97	24	0.95	375.2	14.77	2.7	5.9	
EM26-50 OF	615 165 277 0	1/2	7-50	5.2-36.8	985	50	1.97	26	1.02	387.5	15.25	2.7	5.9	
EM30-80 OF	615 165 278 0	5/8	10-80	7.4-59.0	580	50	1.97	30	1.18	414.3	16.31	3.9	8.6	
EM36-140 OF	615 165 279 0	1 1/2	19-140	14.0-103.2	375	50	1.97	36	1.42	454.4	17.89	4.7	10.4	
EM40-180 OF	615 165 280 0	3/4	25-180	18.4-132.7	475	50	1.97	40	1.57	481.7	18.96	6.4	14.1	